

DS1402X 1-Wire Network Cables

BENEFITS AND FEATURES

- Coiled Cables Provide Flexible Connection to Connect iButtons® and Capsule Products to 1-Wire® Networks
- Convenient, Off-the-Shelf Connectivity
- Multiple Connectors Maximize Battery Life
 - Momentary Contact
 - Dwelled Contact
 - Touch and Hold
- Optional Adhesive Pad Simplifies Mounting
- Spring-Controlled for Dwelled Contact (DS1402-RC3+) for the DS1922F
- Extension Cable (DS1402-BR8+) Supports a Wider Range of Applications

ORDERING INFORMATION

DS1402D-DB8+	2.4m (8ft) cable
DS1402D-DR8+	2.4m (8ft) cable
DS1402-BP8+	2.4m (8ft) cable
DS1402-RP3+	0.9m (3ft) cable
DS1402-RP8+	2.4m (8ft) cable
DS1402-BR8+	2.4m (8ft) cable
DS1402-RC3+	0.9m (3ft) cable

+ Denotes a lead(Pb)-free/RoHS-compliant product.

DESCRIPTION

The DS1402 series of 1-Wire network cables provides connectivity to any USB, serial, or parallel port 1-Wire adapter. Both the iButton probe cables and the Blue Dot receptor cables can touch any iButton, but can only hold the F5 version iButtons. The DS1402-BR8+ is an extension cable for the DS1401 iButton Holder. The DS1402-RC3+ connects to the DS1922F. Applications of the DS1402-series 1-Wire network cables range from software protection and access control to asset management and thermal monitoring through handheld computers.

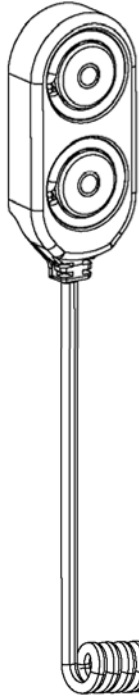
Connectivity Matrix

Cable Part Number	Connects From	To
DS1402D-DB8+ Blue Dot Receptor Cable	DS1410E, DS1411, DS1413, any version or DS1401	any iButton
DS1402D-DR8+ Blue Dot Receptor Cable	DS9490R, DS9097U (any version), DS9097, DS9097E	any iButton
DS1402-BP8+ iButton Probe Cable	DS1410E, DS1411, DS1413, any version or DS1401	any iButton
DS1402-RP3+, DS1402-RP8+ iButton Probe Cable	DS9490R, DS9097U (any version), DS9097, DS9097E	any iButton
DS1402-BR8+	DS9490R, DS9097U (any version), DS9097, DS9097E	DS1401 Front Panel iButton Holder
DS1402-RC3+	DS9490R, DS9097U (any version), DS9097, DS9077E	DS1922F

iButton and 1-Wire are registered trademarks of Maxim Integrated Products, Inc.

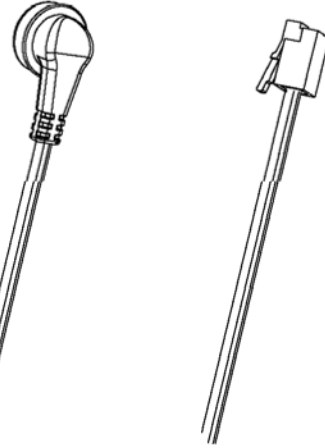
For pricing, delivery, and ordering information, please contact Maxim Direct at 1-888-629-4642, or visit Maxim's website at www.maximintegrated.com.

Blue Dot Receptor Cables



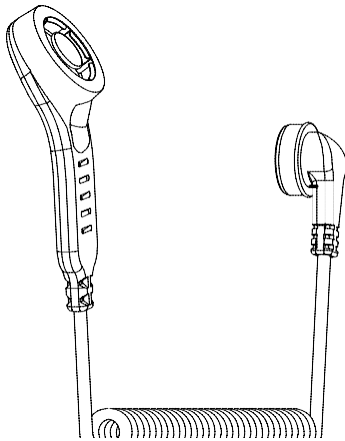
DS1402D-DB8+

DS1402D-DR8+



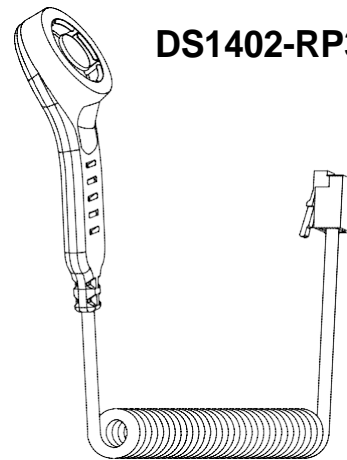
iButton Probe Cables

DS1402-BP8+

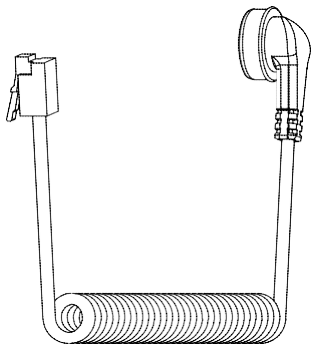


DS1402-RP8+

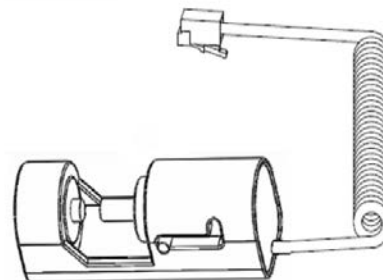
DS1402-RP3+



iButton Holder Cable DS1402-BR8+



DS1402-RC3+



REVISION HISTORY

REVISION DATE	DESCRIPTION	PAGES CHANGED
61809	Conversion to lead free. Added the DS1402-RP3+ to the data sheet	1, 2
10/14	Added DS1402-RC3+ and revised <i>Benefits and Features</i> section	1, 2
2/15	Corrected figure caption	2



Maxim cannot assume responsibility for use of any circuitry other than circuitry entirely embodied in a Maxim product. No circuit patent licenses are implied. Maxim reserves the right to change the circuitry and specifications without notice at any time. The parametric values (min and max limits) shown in the Electrical Characteristics table are guaranteed. Other parametric values quoted in this data sheet are provided for guidance.

Maxim Integrated 160 Rio Robles, San Jose, CA 95134 USA 1-408-601-1000

3

Mouser Electronics

Authorized Distributor

Click to View Pricing, Inventory, Delivery & Lifecycle Information:

[Maxim Integrated:](#)

[DS1402-BP8+](#) [DS1402-BR8+](#) [DS1402-RP3+](#) [DS1402D-DB8+](#) [DS1402D-DR8+](#) [DS1402-RP8+](#)