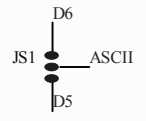
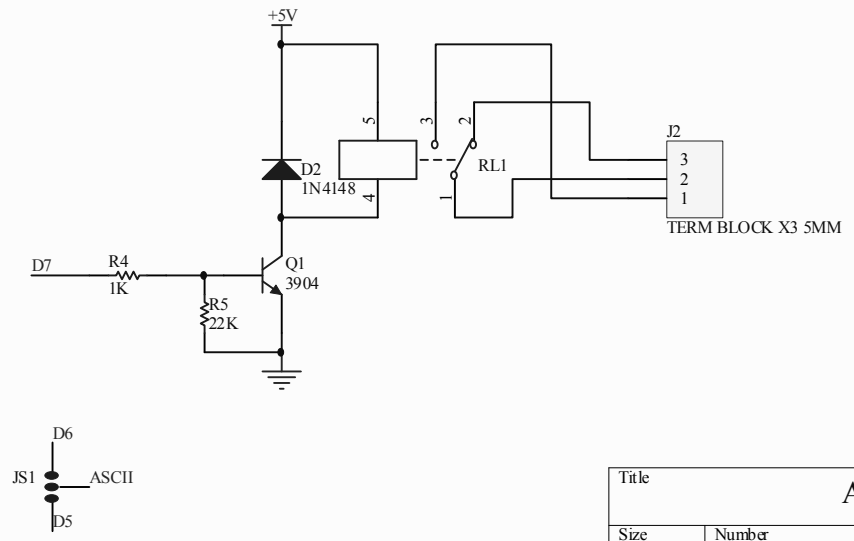
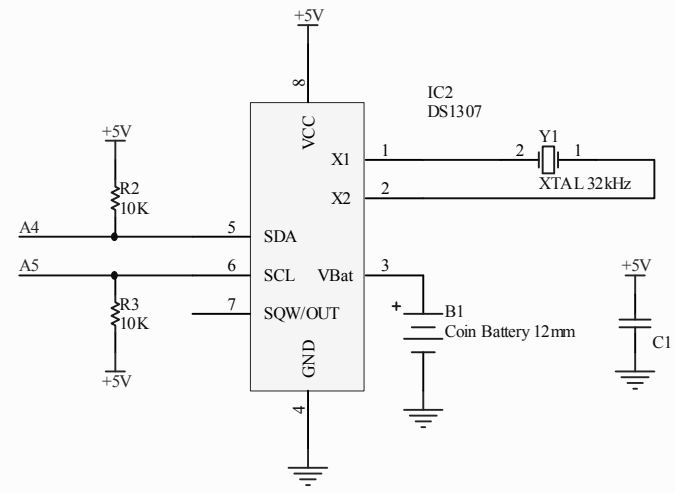
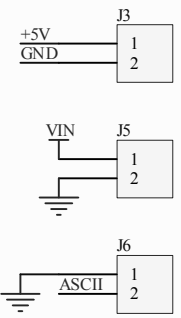
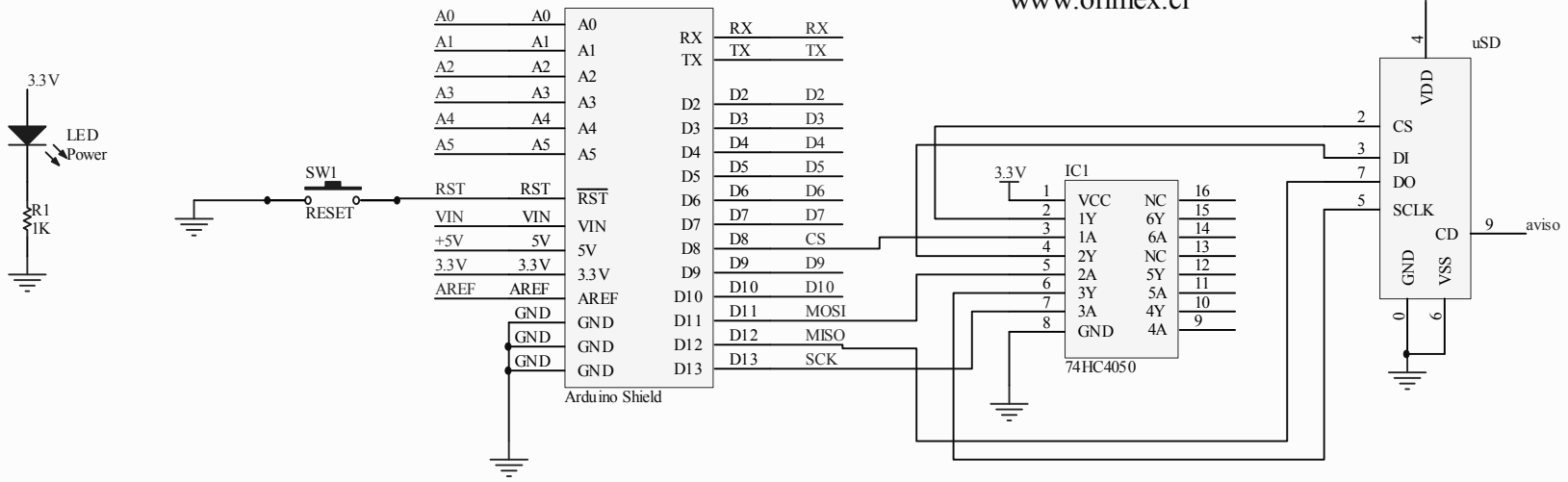


®MCI Electronics
 Copyright © 2011
 www.olimex.cl



Title			Arduino Access Control Shield		
Size	Number	Revision			
A4	Elaborado por: Diego Muñoz Ortiz		Eduardo Illescas		
Date:	24/01/2012	Sheet of			
File:	C:\Diego\Arduino Access Control.SCHDOC		Drawn By:		