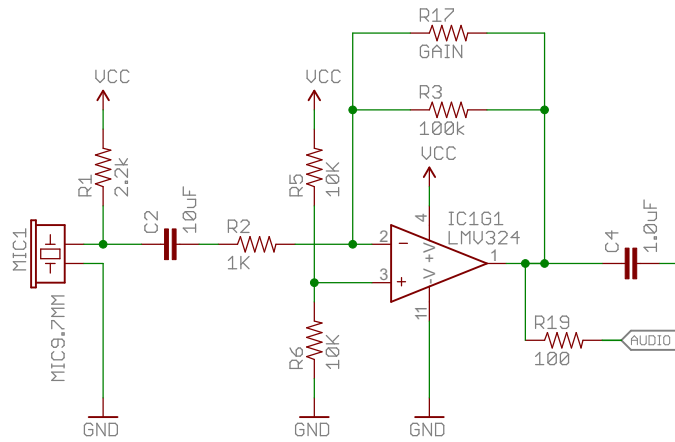


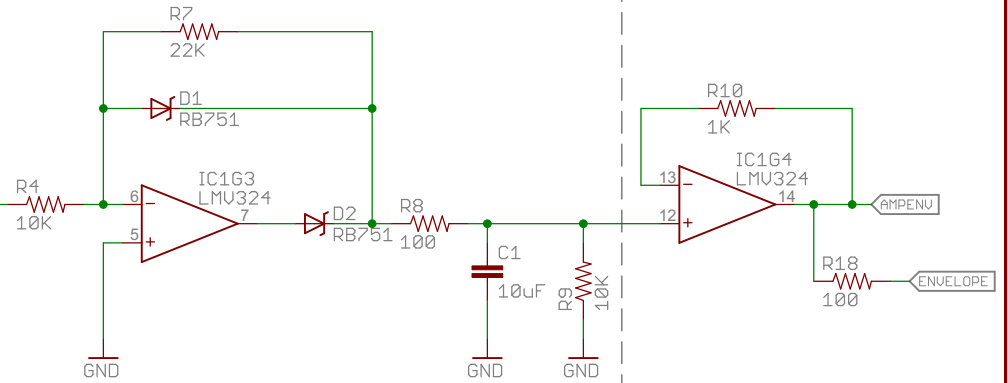
Mic capsule and preamplifier

Default gain = 100 (40 dB)
 Populate R17 to lower gain.
 10K = 10 (20 dB)
 Remove R3 and populate R17 to raise gain.
 1Meg = 1000 (60 dB)

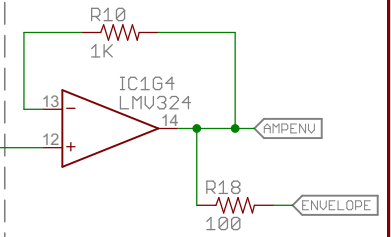


Peak detector

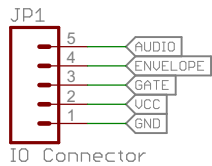
Half-wave precision rectifier with gain of approx 2



Buffer amplifier

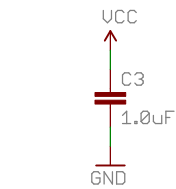


I/O connector



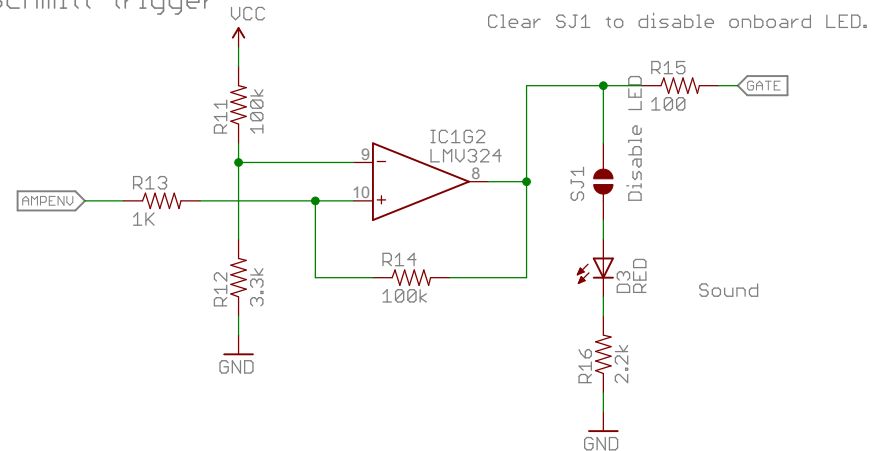
Ucc range between 2.7V and 5.5V.

Decoupling



Supply decoupling - place near U1

Schmitt trigger



Clear SJ1 to disable onboard LED.



Released under the Creative Commons Attribution Share-Alike 3.0 License
<http://creativecommons.org/licenses/by-sa/3.0>



TITLE: sound-detector

Design by Byron Jacquot

REV: V10



Date: 2/21/2014 5:07:40 PM

Sheet: 1/1